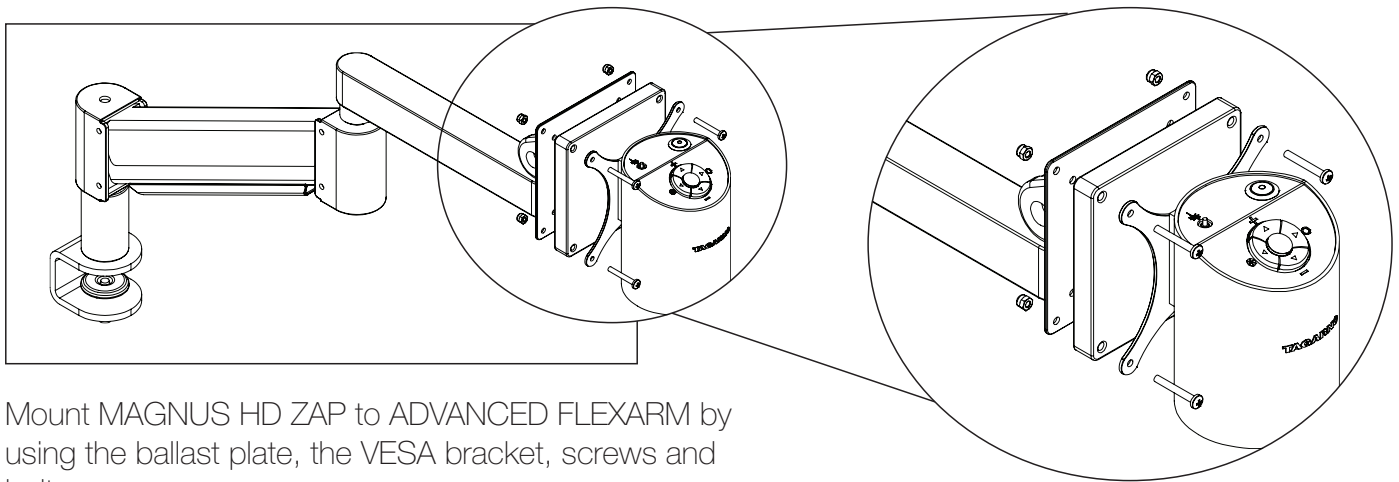
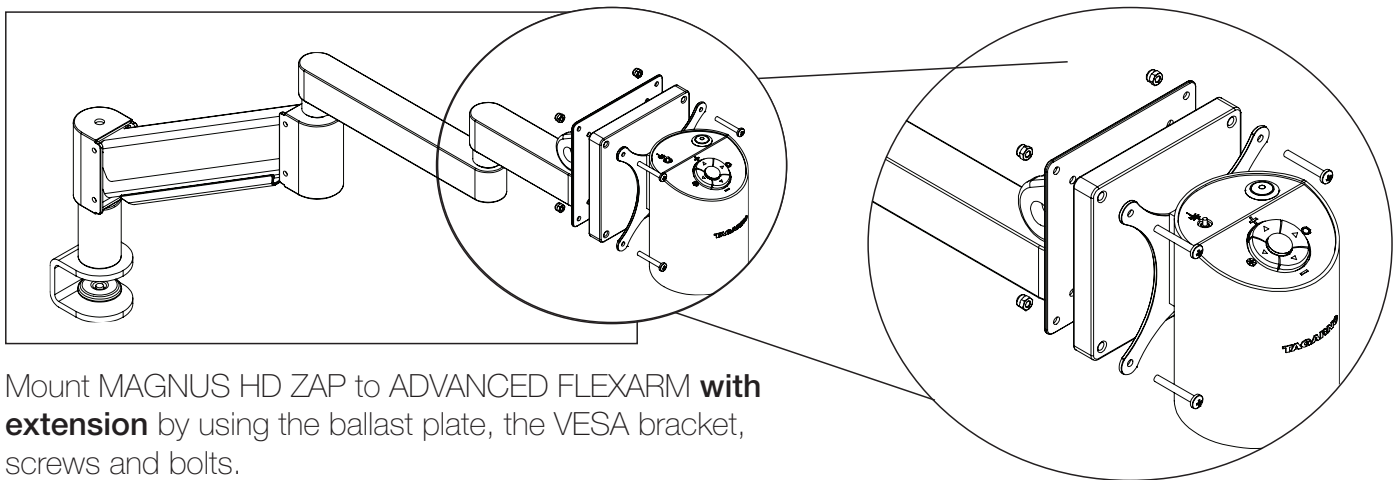


MAGNUS HD ZAP

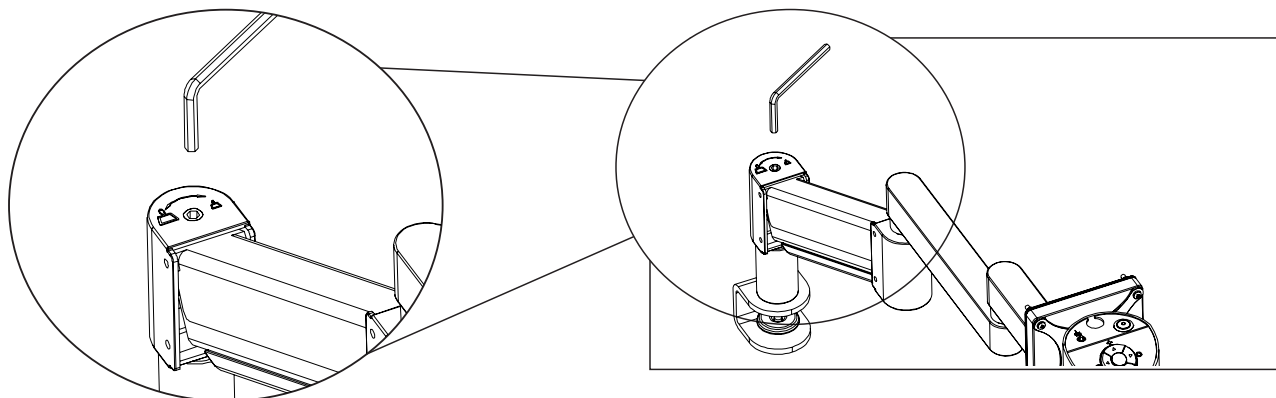
ADVANCED FLEXARM combination



Mount MAGNUS HD ZAP to ADVANCED FLEXARM by using the ballast plate, the VESA bracket, screws and bolts.



Mount MAGNUS HD ZAP to ADVANCED FLEXARM **with extension** by using the ballast plate, the VESA bracket, screws and bolts.

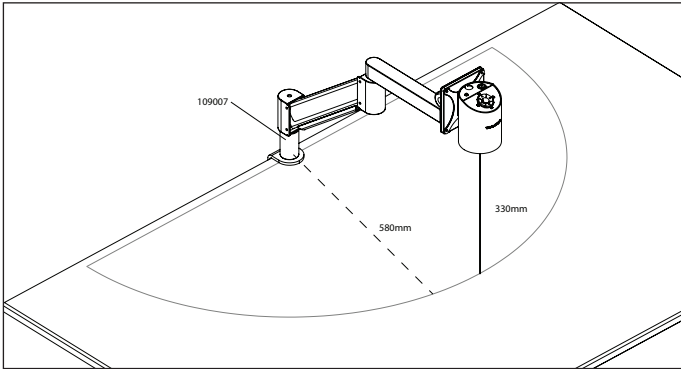


Adjust the ADVANCED FLEXARM to minimum by screwing clockwise with the included allen key.

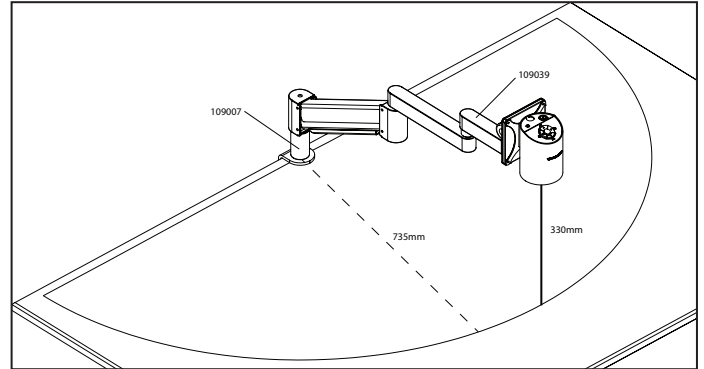
MAGNUS HD ZAP

ADVANCED FLEXARM combination

+3 lens

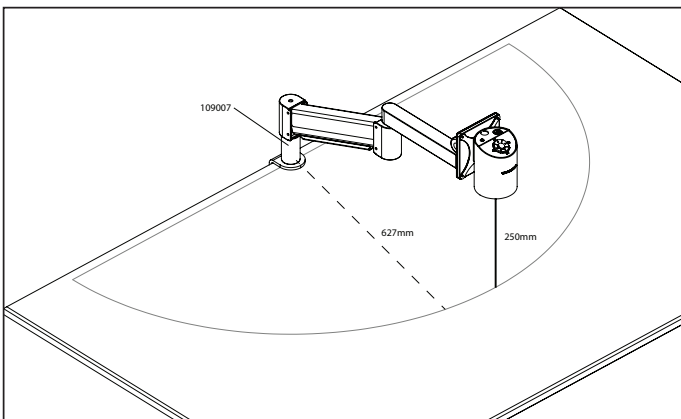


ADVANCED FLEXARM with +3 lens.
Mount the ballast plate.

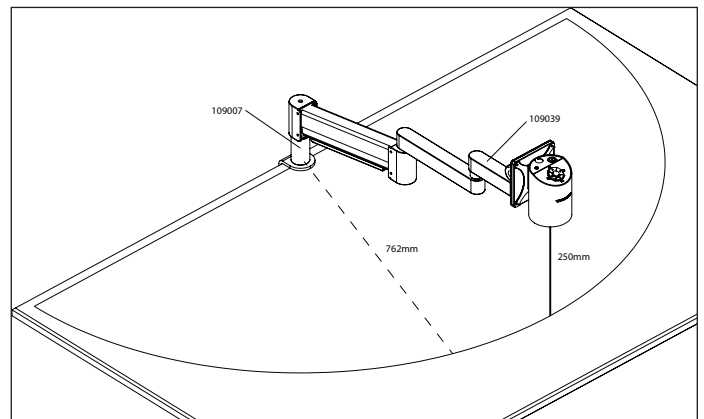


ADVANCED FLEXARM with +3 lens and **extension**. Mount the ballast plate.

+4 lens

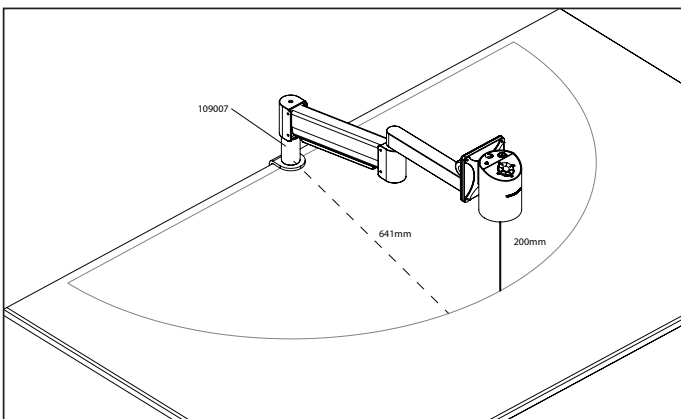


ADVANCED FLEXARM with +4 lens. Mount the ballast plate.

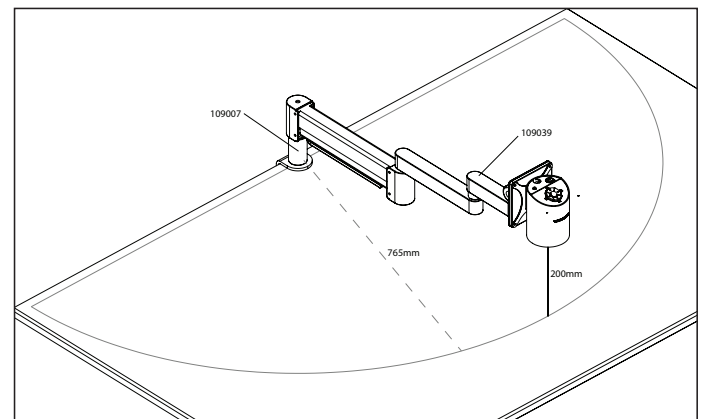


ADVANCED FLEXARM with +4 lens and **extension**. Mount the ballast plate.

+5 lens



ADVANCED FLEXARM with +5 lens.
Mount the ballast plate.



ADVANCED FLEXARM with +5 lens and **extension**. Mount the ballast plate.