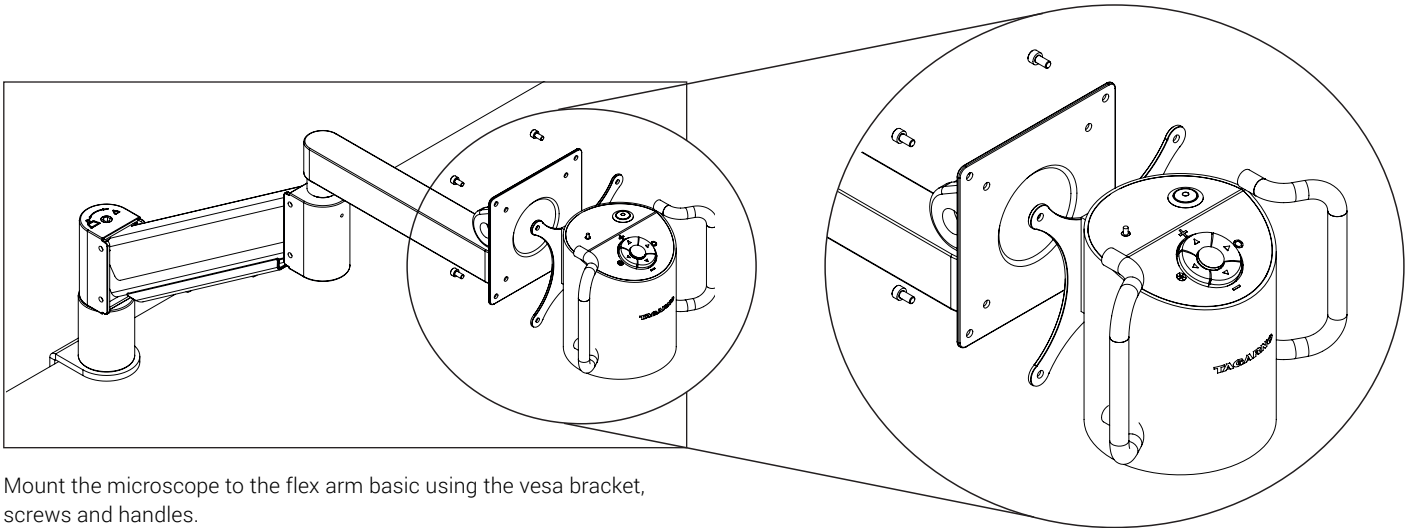
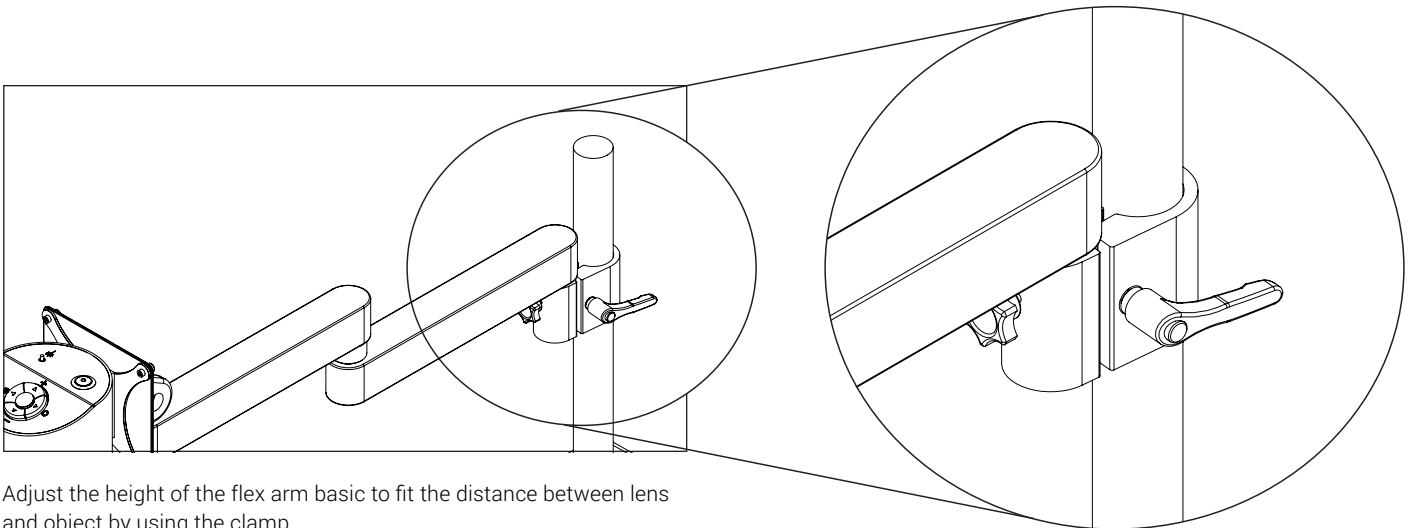


MANUAL FLEX ARM BASIC

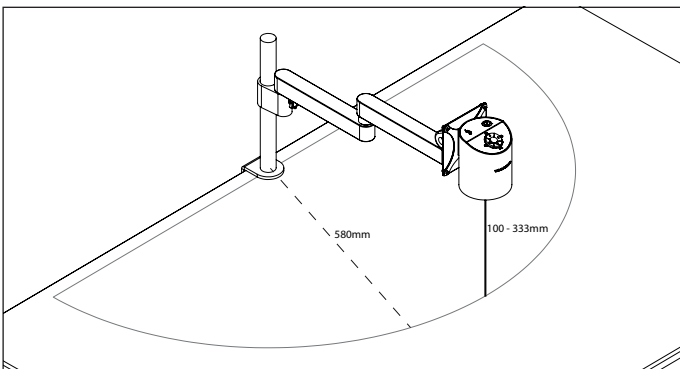
ASSEMBLY AND ADJUSTMENT



Mount the microscope to the flex arm basic using the vesa bracket, screws and handles.



Adjust the height of the flex arm basic to fit the distance between lens and object by using the clamp.



Range with lens +3, +4, +5 and +10.